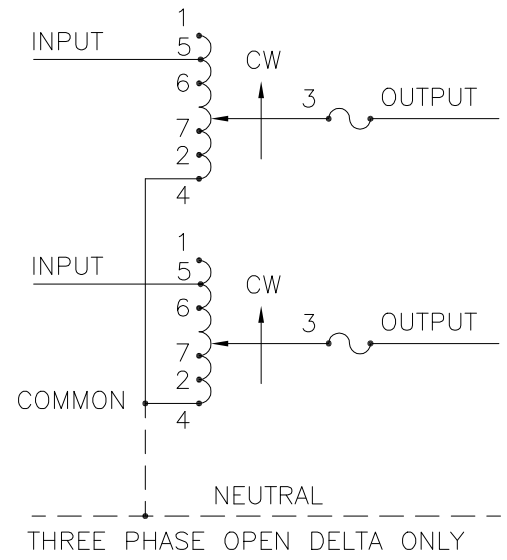


FIGURE A
 MAXIMUM OUTPUT CURRENT OF ANY DUAL INPUT VOLTAGE OR VOLTAGE DOUBLER UNIT OPERATED AT LOWER INPUT VOLTAGE.



SCHEMATIC
 THREE PHASE OPEN DELTA AND SINGLE PHASE SERIES. FUSE RECOMMENDED BUT NOT SUPPLIED.

- # MAXIMUM OUTPUT CURRENT IN OUTPUT VOLTAGE RANGE FROM 0 TO 25% ABOVE LINE VOLTAGE. AT HIGHER OUTPUT VOLTAGES, THE OUTPUT CURRENT MUST BE REDUCED ACCORDING TO THE DERATING CURVE FIGURE A.
- § MAXIMUM KVA AT MAXIMUM OUTPUT VOLTAGE AND CORRESPONDING DERATED OUTPUT CURRENT. MAXIMUM KVA FOR LOWER VOLTAGES MAY BE CALCULATED FROM DERATING CURVE FIGURE A.
- π IF GANGED UNITS ARE USED IN A SYSTEM THAT ORDINARILY HAS A COMMON NEUTRAL OR GROUND BETWEEN SOURCE AND LOAD, THE NEUTRAL OR GROUND MUST BE CONNECTED TO THE COMMON TERMINALS OF THE VARIABLE TRANSFORMER ASSEMBLY. IF THE SYSTEM HAS NO NEUTRAL, THE LOAD MUST BE BALANCED OR THE TRANSFORMER WILL BE DAMAGED.
- JUMPER PROVIDED IN STANDARD COMMON POSITION AND SHOULD BE MOVED OR REMOVED AS REQUIRED.
- ++ LINE TO LINE VOLTAGE.

SPECIFICATIONS											
WIRING	INPUT		OUTPUT				SHAFT ROTATION TO INCREASE VOLTAGE	TERMINAL CONNECTIONS			
	VOLTS	HERTZ	VOLTS	CONSTANT CURRENT LOAD		CONSTANT IMPEDANCE LOAD		FOR INCREASING VOLTAGE AS VIEWED FROM BASE END ■			
				MAX. AMPS	MAX. KVA	MAX. AMPS		MAX. KVA	INPUT	JUMPER	OUTPUT
SINGLE PHASE SERIES	480	50/60	0-480	3.5	1.68	5.0	2.4	CW	1-1	4-4	3-3
			0-560	3.5	1.96	—	—	CCW	4-4	1-1	3-3
			0-560	3.5#	0.84§	—	—	CCW	5-5	4-4	3-3
THREE PHASE OPEN DELTA π	240	50/60	0-240	3.5	1.45	5.0	2.08	CW	1-4-1	4-4	3-4-3
			0-280	3.5	1.70	—	—	CCW	4-1-4	1-1	3-1-3
	++	50/60	0-240	3.5	1.45	5.0	2.08	CW	5-4-5	4-4	3-4-3
			0-280	3.5	1.70	—	—	CCW	2-1-2	1-1	3-1-3
	++	50/60	0-280	3.5#	0.73§	—	—	CW	7-4-7	4-4	3-4-3
			0-280	3.5#	0.73§	—	—	CCW	6-1-6	1-1	3-1-3

UNLESS OTHERWISE SPECIFIED, TOLERANCE IS ± DECIMALS HOLES .002 ANGLES 1° DRAFT 1-1/2° UNITS IN [mm]

MATERIAL: ALL DIMENSIONS APPLY AFTER PLATING

TITLE: SPEC. CONTROL DRAWING VARIABLE TRANSFORMER MODEL: 1020B-2

DRAWN BY: S.A. SMITH DATE: 9/22/97 FIRST USED ON: DO NOT SCALE DWG.

CHECKER: DATE: WEIGHT APPROX. 19 LBS CAGE CODE 83008

ENGINEER: DATE: SCALE 1=1 SHEET 1 OF 1

DWG. NO. 031-2320

STACO ENERGY PRODUCTS CO. A Components Corporation of America Company 302 Gadsden Boulevard Dayton, Ohio 45403 USA