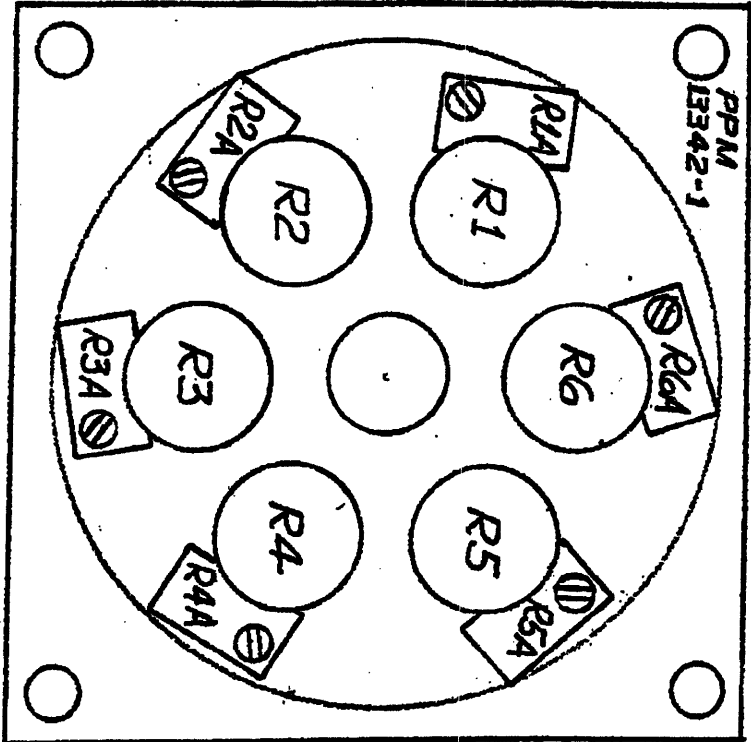


REPLACEMENT PARTS LIST: MODEL RX DECADE RESISTANCE BOX

REFERENCE	QTY.	DESCRIPTION	MFGR. PART NO.
BP1, BP2	2	BINDING POST, LOW THERMAL	3770 WHITE
BP3	1	BINDING POST, METAL	137SM
R1-R10	10	0.001 OHMS, 5%, 1W	13633
R11-R20	10	0.01 OHMS, 1%, 2W	PO9693A-1
R21	1	0.1002 OHMS, 0.1%, 0.3W	PO8758-1
R22-R26	5	0.2004 OHMS, 0.1%, 0.6W	PO8758-2
R31	1	1.002 OHMS, 0.1%, 0.6W	PO8758-3
R32-R36	5	2.004 OHMS, 0.1%, 1.2W	PO8758-4
R41	1	10.02 OHMS, 0.1%, 0.6W	PO8758-5
R42-R46	5	20.04 OHMS, 0.1%, 1.2W	PO8758-6
R51	1	100.2 OHMS, 0.1%, 0.6W	PO8758-7
R52-R56	5	200.4 OHMS, 0.1%, 1.2	PO8758-8
R61	1	1002 OHMS, 0.1%, 0.6W	PO8758-9
R62-66	5	2004 OHMS, 0.1%, 1.2	PO8758-10
R71	1	9.97K, 0.1%, 0.5W	PO9029-1
R72-R76	5	19.94K, 0.1%, 1W	PO9029-2
R81	1	99.9K, 0.1%, 0.5W	PO9029-3
R82-86	5	199.4K, 0.1%, 1W	PO9029-4
R91	1	997K, 0.1%, 0.5W	PO9447-1
R92-96	5	1.994M, 0.1%, 1W	PO9447-2
R21A	1	TRIMPOT, 100 OHMS	67YR100
R22A-R26A	5	TRIMPOT, 200 OHMS	67YR200
R31A	1	TRIMPOT, 1K	67YR1K
R32A-R36A	5	TRIMPOT, 2K	67YR2K
R41A	1	TRIMPOT, 10K	67YR10K
R42A-R46A	5	TRIMPOT, 20K	67YR20K
R51A	1	TRIMPOT, 100K	67YR100K
R52A-R56A	5	TRIMPOT, 200K	67YR200K
R61A	1	TRIMPOT, 1M	67YR1M
R62A-R66A	5	TRIMPOT, 2M	67YR2M
R71A	1	TRIMPOT, 50 OHMS	67YR50
R72A-R76A	5	TRIMPOT, 100 OHMS	67YR100
R81A	1	TRIMPOT, 200 OHMS	67YR200
R82A-R86A	5	TRIMPOT, 1K	67YR1K
R91A	1	TRIMPOT, 5K	67YR5K
R92A-R96A	5	TRIMPOT, 10K	67YR10K
S1,2	2	SWITCH, 11 POS, NO TRIMPOT	PO8262-1
S3-S7	5	SWITCH, 11 POS, PARALLEL TRIMPOT	S-12-P
S8-S10	3	SWITCH, 11 POS, SERIES TRIMPOT	S-12-S
	4	6-32 X 3/8 PHIL PAN-HD MS, SS	COMMERCIAL
	4	6-32 X 3/8 PHIL PAN-HD "C" SS	COMMERCIAL
	6	3/8-32 HEX NUT SS	COMMERCIAL
	6	KNOBS	5S12RP-2D20DK
	4	CUSHION FEET	64-2346

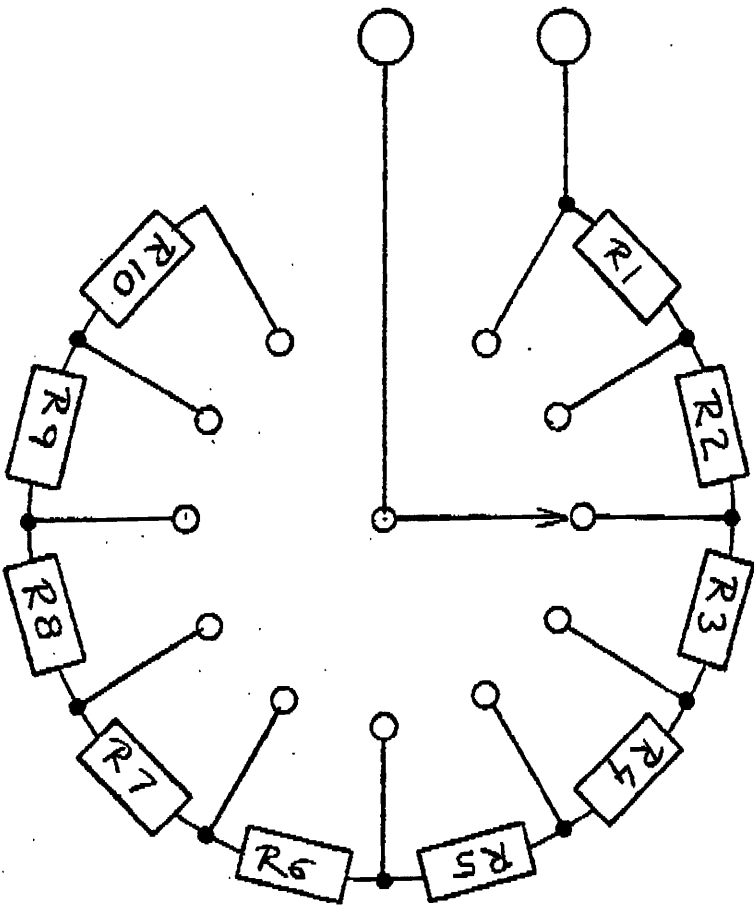


VIEWED FROM COMPONENT SIDE

J1861

PPM, INC.

SCALE: 2X		APPROVED BY: AFB	
DATE: 11-27-96		DRAWN BY: J.L.K.	
P/L: SWITCH ASSEMBLY		REVISED: AB	
MODEL S-12		DRAWING NUMBER: 13342-3A	



PPM, INC.

SCALE: —
DATE: 5/12/98

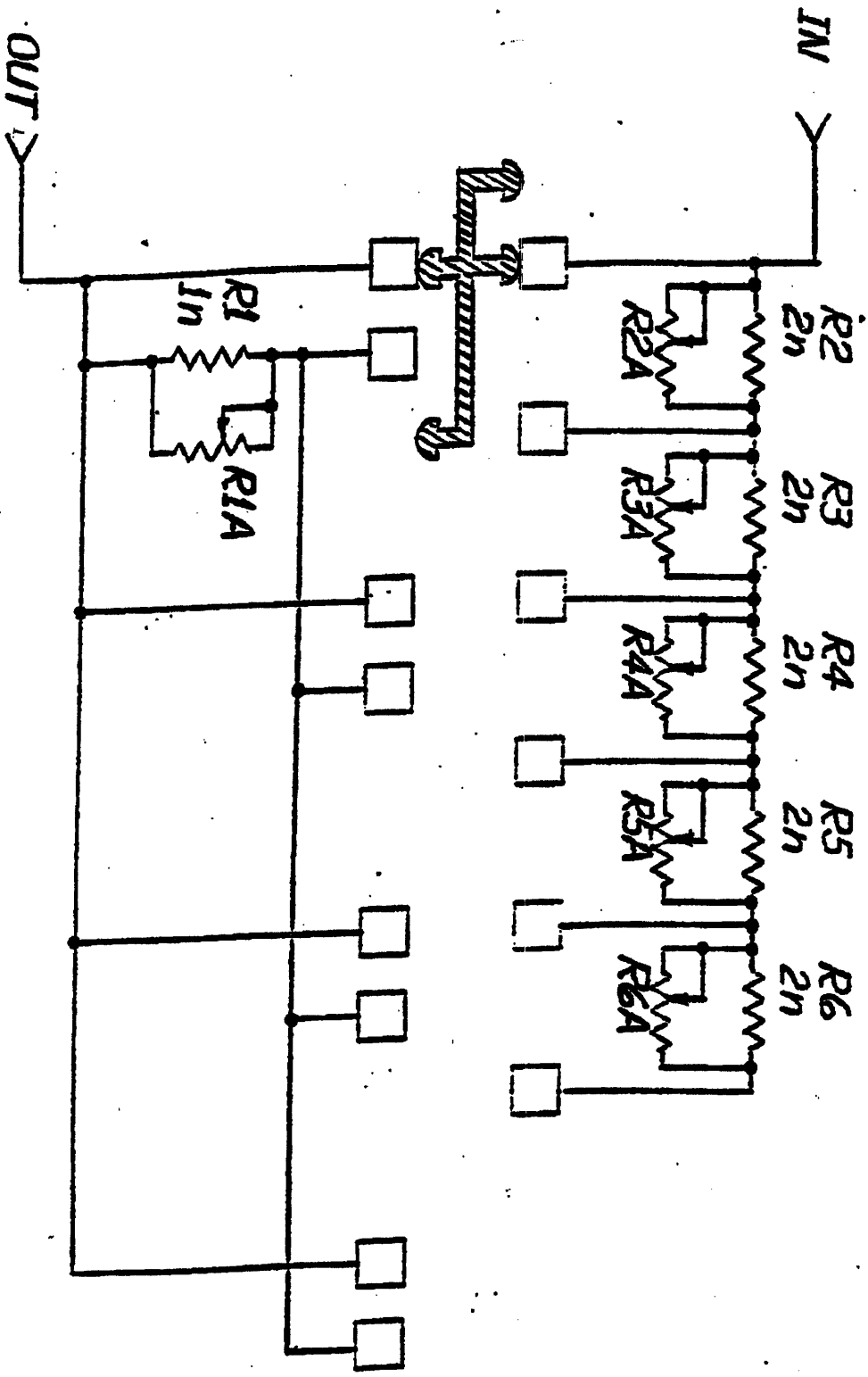
APPROVED BY:
A.F.B.

DRAWN BY C.P.
REVISED

SCHEMATIC: 10 RESISTOR DECADE

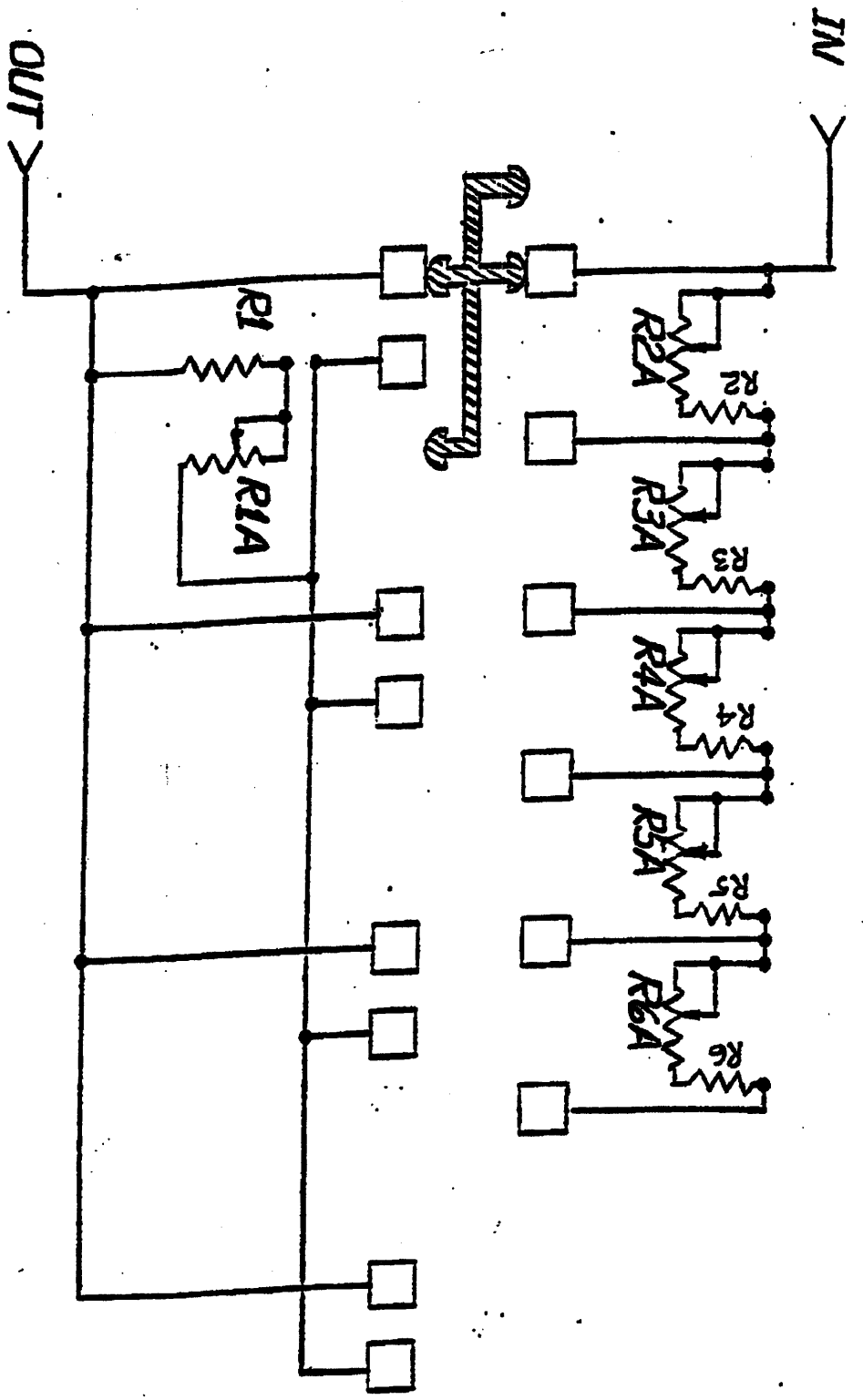
MODEL RX

DRAWING NUMBER
13477



SWITCH SHOWN
IN ZERO POSITION

PPM, INC.	
SCALE: \sim	APPROVED BY: <i>ALB</i>
DATE: 11-27-96	DRAWN BY: <i>J.L.K.</i>
SCH. PARALLEL TRIMPOT DECADE	
MODEL S-12-P	DRAWING NUMBER: 13288-B



SWITCH SHOWN
IN ZERO POSITION

PPM, INC.

SCALE:	APPROVED BY:	DRAWN BY:
DATE: 11-27-96	RLB	J.L.K.
	REVISIONS	

SCH. SERIES TRIMPOT. DECADE

MODEL S-12-S

DRAWING NUMBER
13288-C